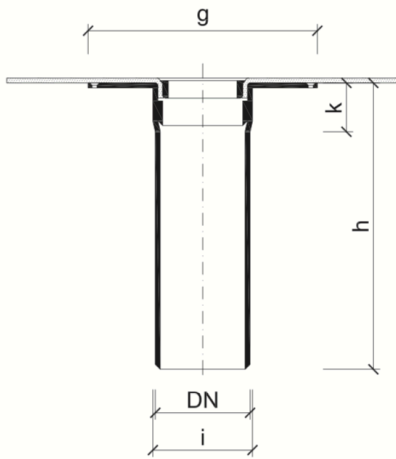


Product Description

Fatra prefabricated rainwater outlets with an integrated sleeve of a hydro-insulation foil based on PVC and with a protective grid are used in conjunction with Fatrafol PVC membrane systems to integrate wall outlet drainage points within the membrane system.

Product Dimensions



Extended single-wall roof outlets – roofs without heat insulation

Type	DN	Dimensions [mm]			
		g	h	i	k
TWJ BZ 50	50	250	400	56	60
TWJ BZ 75	70	250	400	81	60
TWJ BZ 90	90	250	400	96	60
TWJ BZ 110	100	250	400	116	60
TWJ BZ 125	125	250	400	131	60

The outlet can be pushed in an existing outlet, pipe or gutter as far as the neck but it has lower outflow capacity



